

Spare Parts List for Type 3271/3277 (240, 350, 700 cm²)



Your contact details:

Title:

Name:

Company:

Customer no.

Street:

ZIP/postal code, city:

Country:

E-mail:

Phone:

Ordering spare parts

The spare parts for Type 3271/3277 are listed on the next pages. This document can also be used for ordering:

1. Fill in your contact data and information on the product.
2. Enter the quantity of spare parts needed.
3. Click [Send form] button to attach the PDF form to an e-mail.
4. Attach additional information (e.g. invoice, photos) to the e-mail, if necessary.
5. Send e-mail to spareparts@samsongroup.com.

Either

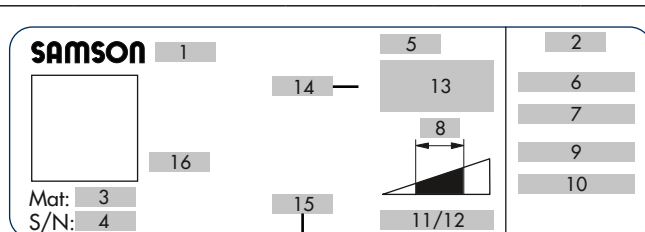
Configuration ID (Var-ID):

or

SAMSON order no.:

Position in order:

or



1	Type number	13	Fail-safe action
2	Country of origin		Manual override
4	Serial number	14	Diaphragm material
5	Actuator area	15	Connecting thread
6 and 7	Bench range in bar and psi	16	Date of manufacture
8	Operating travel in mm		Operating medium
9 and 10	Operating range in bar and psi		
11 and 12	Permissible supply pressure pmax in bar or psi		

Send form

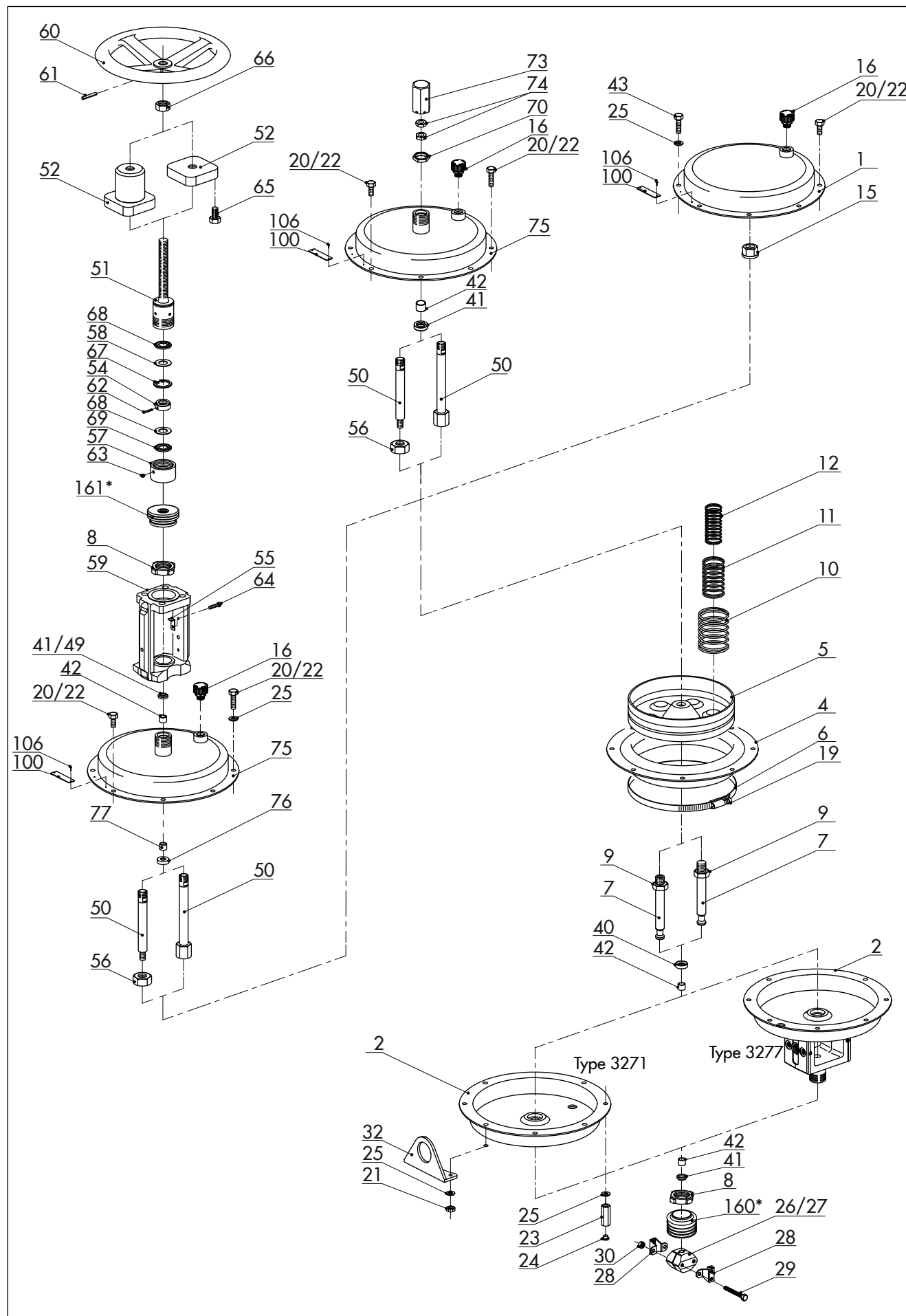
Print form

Clear form

Edition August 2020

Spare Parts List

EL 8310-6 EN



Spare part no.	Qty.	Filled in by SAMSON: material no.	Spare part no.	Qty.	Filled in by SAMSON: material no.
1			54		
2			55		
4			56		
5			57		
6			58		
7			59		
8			60		
9			61		
10			62		
11			63		
12			64		
15			65		
16			66		
19			67		
20			68		
21			69		
22			70		
23			73		
24			74		
25			75		
26			76		
27			77		
28			100		
29			101		
30			106		
32			160*		
40					
41					
42					
43					
49					
50					
51					
52					

¹⁾ Only for version with 240 cm² actuator area

²⁾ Replaces collar nut (15) in version with travel stop or handwheel

Specifications subject to change without notice
