

T 8052 EN

Series 250

Type 3251-1/3251-AM-1 and Type 3251-7/3251-AM-7 Pneumatic Control Valves

Type 3251 and Type 3251-AM Globe Valve

ANSI version



Application

Control valve for process engineering applications with high industrial requirements

Type	3251	3251-AM
Nominal size	NPS ½ to 20	NPS ½ to 3
Pressure rating	Class 150 to 2500	Class 150 to 2500
Temperatures	-325 to +1022 °F (-196 to +550 °C)	-325 to +842 °F (-196 to +450 °C)

Special features

Type 3251 or Type 3251-AM Globe Valve

- Type 3271 Pneumatic Actuator (Type 3251-1 or Type 3251-AM-1 Control Valve)
- Type 3277 Pneumatic Actuator (Type 3251-7 or Type 3251-AM-7 Control Valve) for integral positioner attachment

Valve body material

Type 3251:

- Cast steel
- Cast stainless steel, high-temperature or low-temperature cast steel
- Special materials

Type 3251-AM:

- AM stainless steel 316/316L
- Other materials on request

Low-noise valve plug

- Metal seal
- Soft seal up to Class 300
- High-performance metal seal
- Balanced to handle high differential pressures

Optional with RFID tags with unique identification according to DIN SPEC 91406.

The control valves with their modular design can be equipped with various accessories:

Positioners, limit switches, solenoid valves and other valve accessories according to IEC 60534-6-1²⁾ and NAMUR recommendation (see Information Sheet ▶ T 8350).

Versions

Standard version with PTFE packing for temperatures from 14 to 428 °F (-10 to +220 °C) or with adjustable high-temperature packing from 14 to 662 °F (-10 to +350 °C), Type 3251: nominal sizes NPS ½ to 20; Type 3251-AM: nominal sizes NPS ½ to 3, pressure rating Class 150 to 2500 (see Table 1)

¹⁾ UKCA conformity, Type 3251 only (not Type 3251-AM)

²⁾ Accessories required. See associated actuator documentation.



Fig. 1: Type 3251-1 Pneumatic Control Valve with Type 3271 Pneumatic Actuator

- **Type 3251-1 and Type 3251-AM-1** (Fig. 1) · Type 3251 or Type 3251-AM Valve and Type 3271 Actuator with 350 to 2800 cm² actuator area (see Data Sheets ▶ T 8310-1, ▶ T 8310-2 and ▶ T 8310-3)
- **Type 3251-7 and Type 3251-AM-7** · Type 3251 or Type 3251-AM Valve with Type 3277 Pneumatic Actuator with 350 to 750v2 cm² diaphragm area for integral positioner attachment (see Data Sheet ▶ T 8310-1)

Further versions

- **Welding ends or welding-neck ends** according to ANSI B16.25
- **Flow divider or AC-1/AC-3 Trim** for noise reduction · See Data Sheets ▶ T 8081, ▶ T 8082 and ▶ T 8083

- **Valve plug with pressure balancing** · See Table 3
- **Perforated plug** · See ▶ T 8086
- **Insulating section or bellows seal** · See Technical data
- **Heating jacket** (Type 3251 only) · Details on request
- **Additional handwheel** · See Data Sheet ▶ T 8310-1
- **DIN version** · Nominal sizes DN 15 to 500 (Type 3251) and DN 15 to 80 (Type 3251-AM), pressure rating PN 16 to 400 · See Data Sheet ▶ T 8051
- **Type 3251/3251-AM Valve with Type 3273 Hand-operated Actuator** · For valves with max. 30 mm rated travel and side-mounted handwheel for travel > 30 mm · See Data Sheet ▶ T 8312
- **Type 3251-2/3251-AM-2 Electric Control Valve** · Details on request

Principle of operation

The medium flows through the valve in the direction indicated by the arrow. The valve plug determines the cross-sectional area of flow. The version with bellows seal (Fig. 4) is fitted with a test connection to monitor the stainless steel bellows.

The valves can be equipped with a flow divider (▶ T 8081) for noise reduction.

Pressure balancing must be used when high pressures or differential pressures act on the plug (Fig. 3).

Fail-safe action

Depending on how the springs are arranged in the pneumatic actuator (see Data Sheets ▶ T 8310-1, ▶ T 8310-2 and ▶ T 8310-3), the valve has two different fail-safe positions that become effective when the supply air fails.

- **Actuator stem extends (fail-close)**
The valve closes when the supply air fails.
- **Actuator stem retracts (fail-open)**
The valve opens when the supply air fails.

Differential pressures

The permissible differential pressures can be found in the Information Sheet ▶ T 8000-4.

Fig. 2 to Fig. 4 show configuration examples.

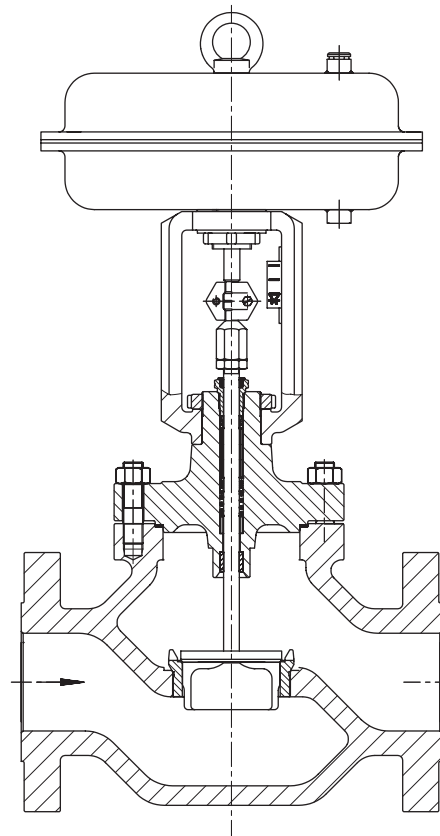


Fig. 2: Type 3251-1/3251-AM-1 Control Valve with Type 3271 Pneumatic Actuator

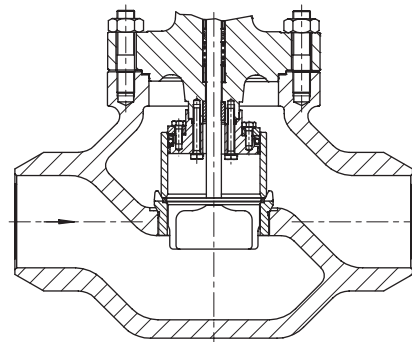


Fig. 3: Type 3251/3251-AM Valve with welding ends and balanced plug

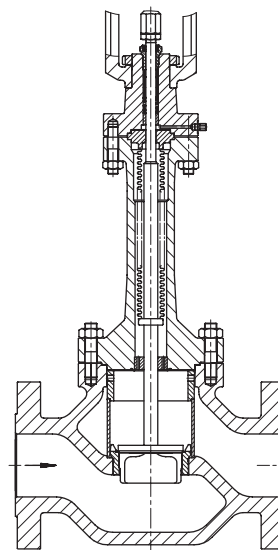


Fig. 4: Type 3251/3251-AM Valve with flow divider ST 1 and additional bellows seal with test connection

Table 1: Technical data for Type 3251/3251-AM

Valve type	3251			3251-AM	
Material	Cast steel A216 WCC	Cast steel A217 WC6	Cast stainless steel A351 CF8M	AM stainless steel 316/316L	
Nominal size and pressure rating	NPS ½ to 12 in Class 150 to 2500 NPS 14 in Class 150 to 600 NPS 16 to 20 in Class 150 to 1500			NPS ½ to 3 in Class 150 to 2500	
Type of connection	Flanges	All ANSI versions			
	Welding ends	According to ANSI B16.25			
Seat-plug seal	Metal seal · Soft seal · High-performance metal seal				
Characteristic	Equal percentage · Linear · On/off (▶ T 8000-3)				
Rangeability	50:1				
RFID tag (optional)	Application range according to the technical specifications and the explosion protection certificates. Documents ▶ www.samsongroup.com > Products > Electronic nameplate				
Conformity	CE · UK · ENEC			CE	
Temperature ranges in °F (°C) · Permissible operating pressures acc. to pressure-temperature diagrams (see Information Sheet ▶ T 8000-2)					
Body without insulating section	14 to 428 (-10 to +220 °C) · Up to 662 (350 °C) with high-temperature packing				
Body with	Insulating section or bellows seal	-20 to +800 (-29 to +425)	-20 to +932 (-29 to +500)	-325 to +1022 (-196 to +550) ²⁾	-325 to +842 (-196 to +450) ²⁾
Valve plug ¹⁾	Standard	Metal seal		-325 to +1022 (-196 to +550) ²⁾	-325 to +842 (-196 to +450) ²⁾
		Soft seal		-325 to +428 (-196 to +220) ²⁾	-325 to +428 (-196 to +220) ²⁾
		Balanced with PTFE ring		-58 to +428 (-50 to +220) ³⁾	-58 to +428 (-50 to +220) ³⁾
		Balanced with graphite ring		428 to 932 (220 to 500) ⁴⁾	428 to 842 (220 to 450)
RFID tag (optional)	Max. permissible temperature at the RFID tag: 185 °F (85 °C)				
Leakage class according to ANSI/FCI 70-2					
Valve plug	Standard	Metal seal		Standard: IV · High-performance metal seal: V	
		Soft seal		VI	
		Balanced, metal seal		With PTFE (standard): IV · High-performance metal seal: V With graphite ring: IV	

¹⁾ Only in combination with suitable body material

²⁾ Note: The temperature limits are not directly converted temperatures.

³⁾ Lower temperatures on request

⁴⁾ Higher temperatures on request

Table 2: Materials

Valve type	3251			3251-AM
Standard version Body ¹⁾	Cast steel A216 WCC	Cast steel A217 WC6	Cast stainless steel A351 CF8M	AM stainless steel 316/316L
Valve bonnet	A216 WCC/A105	A 217 WC6/ A 182 F12 Cl. 2	A351 CF8M/ A182 F316	A351 CF8M/ A182 F316
Seat and plug ²⁾	Metal seal	410-2/1.4008		316 L/CF3M or 410-2/1.4008
Seal ring for	Soft seal	PTFE with 15 % glass fiber		
	Pressure balancing	PTFE with carbon · Graphite		
Guide bushings	1.4112		2.4610	2.4610
Packing ³⁾	V-ring packing: PTFE with carbon, spring: 302 or high-temperature packing			
Body gasket	Graphite seal on metal core			
Insulating section	A216 WCC/A105	A 217 WC6/ A 182 F12 Cl. 2	A351 CF8M/ A182 F316	A351 CF8M/ A182 F316

Valve type	3251			3251-AM
Standard version Body ¹⁾	Cast steel A216 WCC	Cast steel A217 WC6	Cast stainless steel A351 CF8M	AM stainless steel 316/316L
Metal bellows seal ⁵⁾				
Intermediate piece	A216 WCC/A105	A 217 WC6/ A 182 F12 Cl. 2	A351 CF8M/A182 F316	A351 CF8M/A182 F316
Metal bellows	1.4571 ⁴⁾			–
Heating jacket	A240 316L			–

¹⁾ **Type 3251:** other materials (e.g. for high-temperatures or low temperatures) as well as special materials for applications with seawater: 1.4538, duplex 1.4470, nickel-based alloy 9.4610, see pressure-temperature diagrams in Information Sheet ▶ T 8000-2

Type 3251-AM: other materials on request

²⁾ Seats and metal-seated plug also with Stellite® facing or plug made of solid Stellite® available (up to max. K_{VS} 630)

³⁾ Other packings on request (▶ T 8000-1)

⁴⁾ Other bellows materials on request

⁵⁾ Bellows with both NPS >8 and Class >600 on request

Table 3: C_V and K_{VS} coefficients

o = Versions also available with balanced plug

□ = Versions available for Type 3251-AM (restricted range for Type 3251-AM)

Terms for control valve sizing according to IEC 60534, Parts 2-1 and 2-2: FL = 0.95, XT = 0.75

Table 3.1: Overview with flow divider ST 1 (C_V -1, K_{VS} -1), ST 2 (C_V -2, K_{VS} -2) or ST 3 (C_V -3, K_{VS} -3)

C_V	0.12 · 0.2 0.3 · 0.5	0.75	1.2	2	3	5	7.5	12	20	30	47	75	120	190	290	420	735	1150	1730	2300	2900	4200	
K_{VS}	0.1 · 0.16 0.25 · 0.4	0.63	1.0	1.6	2.5	4	6.3	10	16	25	40	63	100	160	250	360	630	1000	1500	2000	2500	3600	
C_V -1	–			1.7	2.6	4.2	7	10.5	17	26	42	67	105	170	265	375	650	1040	1560	2080	2600	3700	
K_{VS} -1	–			1.45	2.2	3.6	5.7	9	14.5	22	36	57	90	144	225	320	560	900	1350	1800	2250	3200	
C_V -2	–			–			3.7	6.0	9.5	15	23	37	60	95	145	235	335	580	950	1400	1860	2300	–
K_{VS} -2	–			–			3.2	5.0	8	13	20	32	50	80	125	200	290	500	800	1200	1600	2000	–
C_V -3	–			–			3.5	5.6	9	14	23	35	55	90	140	220	315	560	880	1280	1730	2200	–
K_{VS} -3	–			–			3	4.8	7.5	12	20	30	47	75	120	190	270	480	750	1100	1500	1900	–
Seat Ø [in]	0.24			0.47			0.945			1.22	1.5	1.97	2.48	3.15	3.94	4.92	5.91	7.87	9.84	11.81	13.78	15.75	19.69
Seat Ø [mm]	6			12			24			31	38	50	63	80	100	125	150	200	250	300	350	400	500
Rated travel [in]	–			0.59			–			–	–	1.18	–	1.18	–	2.36	–	–	–	–	–	–	4.72
Rated travel [mm]	–			15			–			–	–	30	–	30	–	60	–	–	–	–	–	–	120

Table 3.2: Versions without flow divider · Class 150 to 2500

C_V	0.12 · 0.2 0.3 · 0.5	0.75	1.2	2	3	5	7.5	12	20	30	47	75	120	190	290	420	735	1150	1730	2300	2900	4200		
K_{VS}	0.1 · 0.16 0.25 · 0.4	0.63	1.0	1.6	2.5	4	6.3	10	16	25	40	63	100	160	250	360	630	1000	1500	2000	2500	3600		
NPS	DN																							
1/2	15	•	•	•	•	•	• ¹⁾																	
1	25	•	•	•	•	•	•	• ¹⁾																
1 1/2	40	•	•	•	•	•	•	•	• ¹⁾															
2	50					•	•	•	•	•	• ¹⁾													
3	80					•	•	•	•	•	•	•	o ¹⁾											
4	100									•	•	•	o	o ¹⁾										
6	150											•	•	o	o	o ¹⁾								
8	200											•	•	o ²⁾	o	o ¹⁾								
10	250											•	•	o ²⁾	o	o	o ¹⁾							
12	300												•	o ³⁾	o	o	o	o ¹⁾						
14	–														o	o	o	o	o ⁴⁾					
16	400														o	o	o	o	o	o	o ¹⁾			
20	500														o	o	o	o	o	o	o	o ¹⁾		

¹⁾ Reduced C_V / K_{VS} coefficients with Class 900 to 2500:

C_V	4.2	–	10.5	–	26	42	–	105	170	–	375	650	1040	1560	–	2600	3700
K_{VS}	3.6	–	9	–	22	36	–	90	144	–	320	560	900	1350	–	2250	3200

²⁾ Pressure balancing only for ≥ Class 600

³⁾ Pressure balancing only for Class 600/900

⁴⁾ For Class 150 to 600 only

Table 3.1: Overview with flow divider ST 1 (C_V-1, K_{VS}-1), ST 2 (C_V-2, K_{VS}-2) or ST 3 (C_V-3, K_{VS}-3)

C _V	0.12 · 0.2 0.3 · 0.5	0.75	1.2	2	3	5	7.5	12	20	30	47	75	120	190	290	420	735	1150	1730	2300	2900	4200	
K _{VS}	0.1 · 0.16 0.25 · 0.4	0.63	1.0	1.6	2.5	4	6.3	10	16	25	40	63	100	160	250	360	630	1000	1500	2000	2500	3600	
C _V -1	-			1.7	2.6	4.2	7	10.5	17	26	42	67	105	170	265	375	650	1040	1560	2080	2600	3700	
K _{VS} -1				1.45	2.2	3.6	5.7	9	14.5	22	36	57	90	144	225	320	560	900	1350	1800	2250	3200	
C _V -2	-			3.7			6.0	9.5	15	23	37	60	95	145	235	335	580	950	1400	1860	2300	-	
K _{VS} -2				3.2			5.0	8	13	20	32	50	80	125	200	290	500	800	1200	1600	2000	-	
C _V -3	-			3.5	5.6	9	14	23	35	55	90	140	220	315	560	880	1280	1730	2200	-			
K _{VS} -3				3	4.8	7.5	12	20	30	47	75	120	190	270	480	750	1100	1500	1900	-			
Seat Ø [in]	0.24			0.47			0.945			1.22	1.5	1.97	2.48	3.15	3.94	4.92	5.91	7.87	9.84	11.81	13.78	15.75	19.69
Seat Ø [mm]	6			12			24			31	38	50	63	80	100	125	150	200	250	300	350	400	500
Rated travel [in]	0.59										1.18			1.18	2.36			4.72					
Rated travel [mm]	15										30			30	60			120					

Table 3.3: Versions with flow divider ST 1 · Class 150 to 900¹⁾

C _V -1	-																					
K _{VS} -1	-																					
NPS	DN	1.7	2.6	4.2	7	10.5	17	26	42	67	105	170	265	375	650	1040	1560	2080	2600	3700		
		1.45	2.2	3.6	5.7	9	14.5	22	36	57	90	144	225	320	560	900	1350	1800	2250	3200		
½	15			•	•	•																
1	25			•	•	•	•	•														
1½	40			•	•	•	•	•	•													
2	50				•	•	•	•	•	•												
3	80					•	•	•	•	•	•	o										
4	100								•	•	•	o	o									
6	150										•	•	o	o	o							
8	200											•	•	o ²⁾	o	o						
10	250											•	•	o ²⁾	o	o	o					
12	300												•	o ³⁾	o	o	o	o				
14	-														o	o	o	o				
16	400														o	o	o	o	o	o		
20	500															o	o	o	o	o	o	o

- ¹⁾ Class 1500 to 2500 with flow divider ST 1 and pressure balancing on request
- ²⁾ Pressure balancing only for ≥ Class 600
- ³⁾ Pressure balancing only for Class 600/900

Table 3.4: Versions with flow divider ST 2 · Class 150 to 900¹⁾

C _V -2	-																					
K _{VS} -2	-																					
NPS	DN	3.7	6.0	9.5	15	23	37	60	95	145	235	335	580	950	1400	1860	2300	-				
		3.2	5.0	8	13	20	32	50	80	125	200	290	500	800	1200	1600	2000	-				
2	50				•	•	•	•	•	•												
3	80				•	•	•	•	•	•	o											
4	100							•	•	•	o	o										
6	150									•	•	o	o	o								
8	200										•	•	o ²⁾	o	o							
10	250										•	•	o ²⁾	o	o	o						
12	300											•	o ³⁾	o	o	o	o					
14	-													o	o	o	o					
16	400													o	o	o	o	o	o			
20	500														o	o	o	o	o	o	o	o

- ¹⁾ Class 1500 to 2500 with flow divider ST 2 and pressure balancing on request
- ²⁾ Pressure balancing only for ≥ Class 600
- ³⁾ Pressure balancing only for Class 600/900

Table 3.5: Versions with flow divider ST 3 · Class 150 to 900¹⁾

C _V -3	-																					
K _{VS} -3	-																					
NPS	DN	3.5	5.6	9	14	23	35	55	90	140	220	315	560	880	1280	1730	2200	-				
		3.0	4.8	7.5	12	20	30	47	75	120	190	270	480	750	1100	1500	1900	-				
2	50					• ²⁾	• ²⁾	• ²⁾														
3	80					• ²⁾	• ²⁾	• ²⁾	• ²⁾	•												
4	100								• ²⁾	•												
6	150									•	•	o	o									

Valve	NPS		1/2	1	1½	2	3	4	6	8	10	12	14	16	20	
	DN		15	25	40	50	80	100	150	200	250	300	-	400	500	
H2 (DN 100/ NPS 4 and larger with foot)	Class 150	in	1.97	2.36	3.05	3.54	3.94	6.3	8.66	9.84	12.21	14.57	15.16	16.34	On req.	
		mm	50	60	80	90	100	160	220	250	310	370	385	415		
	Class 300 to 600	in	2.36	2.76	3.54	3.94	4.72	7.09	9.25	10.63	11.82	15.35	On request			
		mm	60	70	90	100	120	180	235	270	300	390				
	Class 900	in	2.76	3.05	3.94	4.33	4.72	7.09	9.25	On request			-	On request		
		mm	70	80	100	110	120	180	235							
	Class 1500	in	2.76	3.05	3.94	4.33	5.51	8.66	11.22	On request			-	On request		
		mm	70	80	100	110	140	220	285							
	Class 2500	in	2.95	3.54	4.33	4.72	6.3	9.33	12.6	On request			-	On request		
		mm	75	90	110	120	160	237	320							

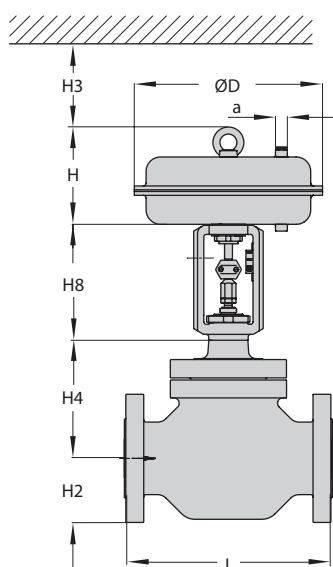
1) NPS 10, Class 150 to 300: 442 mm or 17.40"

2) NPS 10, Class 600 to 900: 519 mm or 20.43"

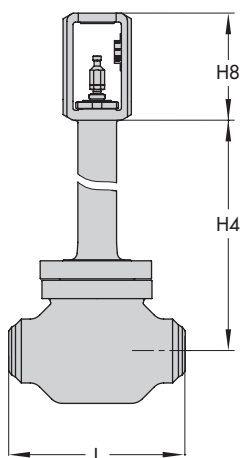
3) H8 = 650 mm with 250 mm seat bore

Dimensional drawings

Type 3271 Pneumatic Actuator

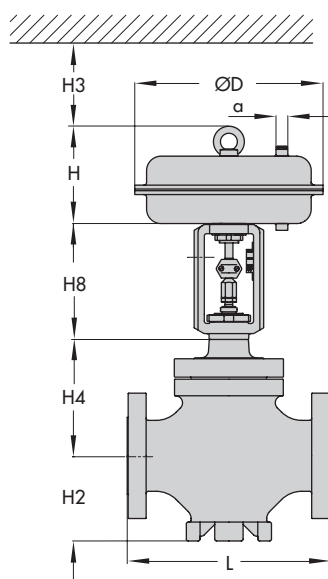


Type 3251-1/3251-AM-1
Up to NPS 3 without foot

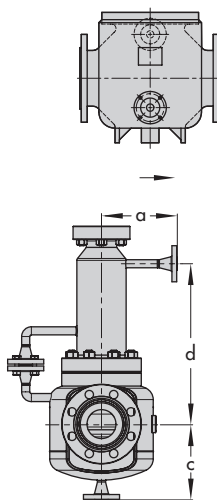


Type 3251/3251-AM with bellows seal
or insulating section

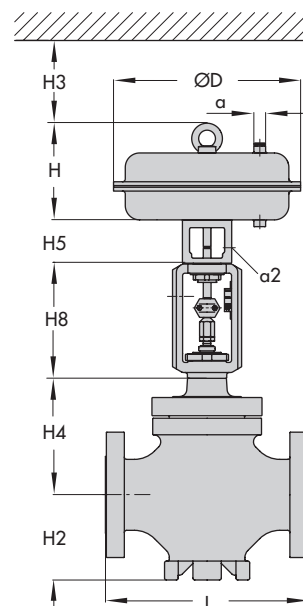
Type 3271 Pneumatic Actuator



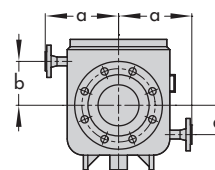
Type 3251-1
NPS 4 and larger



Type 3277 Pneumatic Actuator



Type 3251-7/3251-AM-7



Type 3251 with heating jacket
Dimensions on request

Table 4.2: Type 3271 and Type 3277 Pneumatic Actuators

Actuator area	cm ²	350	350v2	355v2	750v2	1000	1400-60	1400-120	2800	2 x 2800	
Diaphragm ØD	in	11.02	11.02	11.02	15.51	18.19	20.87	21.02	30.32	30.32	
	mm	280	280	280	394	462	530	534	770	770	
H ¹⁾	Type 3271	in	3.23	3.62	5.16	9.29	15.87	13.27	23.54	28.07	47.76
		mm	82	92	131	236	403	337	598	713	1213
	Type 3277	in	3.23	3.23	4.76	9.29	-	-	-	-	-
		mm	82	82	121	236	-	-	-	-	-
H3 ²⁾	in	4.33	4.33	4.33	7.48	24.02	24.02	25.59	25.59	25.59	
	mm	110	110	110	190	610	610	650	650	650	
H5	Type 3277	in	3.98	3.98	3.98	3.98	-	-	-	-	-
		mm	101	101	101	101	-	-	-	-	-
Thread	Type 3271	M30x1.5				M60x1.5		M100x2			
	Type 3277	M30x1.5				-	-	-	-	-	
α	Type 3271	G 3/8 (3/8 NPT)	G 3/8 (3/8 NPT)	G 3/8 (3/8 NPT)	G 3/8 (3/8 NPT)	G 3/4 (3/4 NPT)	G 3/4 (3/4 NPT)	G 1 (1 NPT)	G 1 (1 NPT)	G 1 (1 NPT)	
α2	Type 3277	G 3/8	G 3/8	G 3/8	G 3/8	-	-	-	-	-	

1) Height including lifting eyelet or female thread and eyebolt according to DIN 580. Height of the swivel hoist may differ. Actuators up to 355v2 cm² without lifting eyelet or female thread

2) Minimum clearance required to remove the actuator

Table 5: Weights for Type 3251-1/3251-AM-1 and Type 3251-7/3251-AM-7 in standard version

= Versions available for Type 3251-AM (restricted range for Type 3251-AM)

Table 5.1: Type 3251/3251-AM Valve

Valve	NPS	1/2	1	1 1/2	2	3	4	6	8	10	12	14	16	20
		DN	15	25	40	50	80	100	150	200	250	300	-	400
Class 150	lbs	26	31	42	66	110	152	342	948	1892	2028	2965	3197	3638
	kg	12	14	19	30	50	69	155	430	858	920	1345	1450	1650
Class 300	lbs	33	35	57	95	170	247	694	948	1892	2028	3010	3197	3638
	kg	15	16	26	43	77	112	315	430	858	920	1365	1450	1650
Class 600	lbs	33	35	57	95	170	247	694	1096	1609	2535	On request		
	kg	15	16	26	43	77	112	315	497	730	1150	On request		
Class 900	lbs	33	35	57	95	170	247	694	1157	2844	3263	-	5732	On req.
	kg	15	16	26	43	77	112	315	525	1290	1480		2600	
Class 1500	lbs	On req.	75	126	159	348	496	1235	1949	4630	On re-quest	-	On request	
	kg		34	57	72	158	225	560	884	2100				
Class 2500	lbs	On req.	93	163	238	379	604	2198	3990	On request	-	-		
	kg		42	74	108	172	274	997	1810					

1) The weights specified apply to a specific standard device configuration. Weights of other valve configurations may differ depending on the version (material, trim etc.).

Table 5.2: Type 3271 and Type 3277 Pneumatic Actuators


Actuator area		cm ²	350	350v2	355v2	750v2	1000	1400-60	1400-120	2800	2 x 2800	
Weight ¹⁾	Type 3271	Without handwheel	lbs (approx.)	18	26	33	79	176	154	386	992	2095
			kg (approx.)	8	11.5	15	36	80	70	175	450	950
	Type 3271	With handwheel	lbs (approx.)	29	37	44	90	397	386	661 ^{2)/} 937 ³⁾	1268 ^{2)/} 1544 ³⁾	On request
			kg (approx.)	13	16.5	20	41	180	175	300 ^{2)/} 425 ³⁾	575 ^{2)/} 700 ³⁾	On request
	Type 3277	Without handwheel	lbs (approx.)	27	33	42	89	–	–	–	–	–
			kg (approx.)	12	15	19	40	–	–	–	–	–
		With handwheel	lbs (approx.)	38	44	53	100	–	–	–	–	–
			kg (approx.)	17	20	24	45	–	–	–	–	–

¹⁾ The weights specified apply to a specific standard device configuration. Weights of other actuator configurations may differ depending on the version (material, number of actuator springs etc.).

²⁾ Side-mounted handwheel up to 80 mm travel

³⁾ Side-mounted handwheel above 80 mm travel

Table 6: Dimensions and weights for Type 3251/3251-AM with insulating section · Without actuator

 = Versions available for Type 3251-AM (restricted range for Type 3251-AM)

Nominal size		NPS	½	1	1½	2	3	4	6	8	10	12	14	16	20						
		DN	15	25	40	50	80	100	150	200	250	300	–	400	500						
Height H4	Class 150 to 600	in	13.9	13.9	14.37	19.17	19.37	20.16	26.18	37.28	42.01	45.32	On req.	44.76	On req.						
		mm	353	353	365	487	492	512	665	947	1067	1151		1137							
	Class 900	in	15.04	15.04	15.39	20.32	19.37	20.16	26.18	37.28	42.01	On req.	–	On request							
		mm	382	382	391	516	492	512	665	947	1067		–	On request							
	Class 1500 to 2500	in	15.04	15.04	15.39	20.32	21.5	23.54	31.10	42.13	On request		–	Class 1500 On request							
		mm	382	382	391	516	546	598	790	1070	On request		–	Class 1500 On request							
Weight ¹⁾ without actuator for	Class 150	lbs	35	40	51	79	130	172	412	1054	2046	2123	On request								
		kg	16	18	23	36	59	78	187	478	928	963									
	Class 300	lbs	42	44	66	108	190	267	774	1054	2046	2123				On request					
		kg	19	20	30	49	86	121	351	478	928	963									
	Class 600	lbs	42	44	66	108	190	267	774	1191	2641	2635							On request		
		kg	19	20	30	49	86	121	351	540	1198	1195									
	Class 900	lbs	42	44	66	108	190	267	774	1254	2657	On re-quest	–	On request							
		kg	19	20	30	49	86	121	351	569	1205		–	On request							
	Class 1500	lbs	On req.	79	130	172	375	545	1314	2094	On request		–	On request							
		kg		36	59	78	170	247	596	950			–	On request							
	Class 2500	lbs	On req.	97	168	247	401	653	2277	4090	On request		–	–							
		kg		44	76	112	182	296	1033	1855			–	–							

¹⁾ The weights specified apply to a specific standard device configuration. Weights of other valve configurations may differ depending on the version (material, trim etc.).

Table 7: Dimensions and weights for Type 3251/3251-AM with bellows seal · Without actuator

☐ = Versions available for Type 3251-AM (restricted range for Type 3251-AM)

Nominal size		NPS	½	1	1½	2	3	4	6	8	10	12	14	16	20		
		DN	15	25	40	50	80	100	150	200	250	300	-	400	500		
		Travel															
Height H4	Class 150	in	14.25	14.25	14.72	23.94	24.13	24.13	27.72								
		mm	362	362	374	608	613	613	704								
	Class 300 to 900	in	14.25	14.25	14.72	23.94	24.13	24.13	32.96								
		mm	362	362	374	608	613	613	837								
	Class 1500	in	0.59	24.92	24.92	25.0	33.62	34.02	On request								
		mm	15	633	633	635	854	864	On request								
	Class 1500	in	1.18	-			33.62	34.02	On request								
		mm	30	-			854	864	On request								
	Class 1500	in	2.36	-					-	On req.							
		mm	60	-					-	On req.							
	Class 2500	in	0.59	24.92	24.92	25.0	On req.	40.16	On request								
		mm	15	633	633	635	On req.	1020	On request								
	Class 2500	in	1.18	-				40.16	On request								
		mm	30	-				1020	On request								
Class 2500	in	2.36	-					-	On req.								
	mm	60	-					-	On req.								
Class 150 to 300	in	1.18 to 4.72	-							41.22	59.13	60.20	On req.	59.69	62.60		
	mm	30 to 120	-							1047	1502	1529	On req.	1516	1590		
Class 600 to 900	in	1.18 to 2.36	-							62.24	62.68	64.96	-	On request			
	mm	30 to 60	-							1581	1592	1650	-	On request			
Class 600	in	4.72	-							-	94.65	91.42	On req.	90.16	On req.		
	mm	120	-							-	2404	2322	On req.	2290	On req.		

Nominal size		NPS	½	1	1½	2	3	4	6	8	10	12	14	16	20	
		DN	15	25	40	50	80	100	150	200	250	300	-	400	500	
Weight ¹⁾ for	Class 150	lbs	46	51	62	97	176	220	430	1146	2150	2227	On request			
		kg	21	23	28	44	80	100	195	520	975	1010				
	Class 300	lbs	53	55	77	126	236	317	794	1146	2150	2227				
		kg	24	25	35	57	107	144	360	520	975	1010				
	Class 600	lbs	53	55	77	126	236	317	794	1312	2740	2734				
		kg	24	25	35	57	107	144	360	595	1243	1240				
	Class 900	lbs	53	55	77	126	236	317	794	1354	2866	On req.	-	On request		
		kg	24	25	35	57	107	144	360	614	1300	On req.	-			
	Class 1500	lbs	On req.	93	174	On req.	414	606	1411	2216	On request		-	-		
		kg	On req.	42	79	On req.	188	275	640	1005	On request		-			
Class 2500	lbs	On req.	106	201	273	507	714	2337	4222	On request		-				
	kg	On req.	48	91	124	230	324	1060	1915	On request		-				

¹⁾ The weights specified apply to a specific standard device configuration. Weights of other valve configurations may differ depending on the version (material, trim etc.).

Selection and sizing of the control valve

1. Calculate the C_v (K_v) coefficient according to IEC 60534-6.
2. Select nominal size NPS and C_v (K_{vs}) coefficient from Table 3.
3. Determine the permissible differential pressure from the Information Sheet ► T 8000-4.
4. Select the valve body material from Table 1 and Table 2 as well as from the pressure-temperature diagrams (see Information Sheet ► T 8000-2).
5. Select accessories from Table 1 and Table 2.

Order specifications:

Type	3251 or 3251-AM
Nominal size	NPS
Pressure rating	Class
Body material	See Table 2
Bonnet	Standard bonnet, insulating section or bellows seal
Type of connection	Flanges/welding ends
Plug	Standard or balanced Soft seal, metal seal or high-performance metal seal
Characteristic	Equal percentage, linear or on/off
Actuator	Type 3271 or Type 3277 (see Data Sheets ► T 8310-1, ► T 8310-2 and ► T 8310-3)
Fail-safe position	Fail-close or fail-open
Process medium	Density in lb/cu.ft or kg/m ³ and temperature in °F (°C)
Flow rate	lbs/h or kg/h or cu.ft/min or m ³ /h in standard or operating state
Pressure	p_1 and p_2 in psi (bar) (absolute pressure p_{abs}) (with minimum, normal and maximum flow rate)
RFID tag	Yes/No
Valve accessories	Positioner and/or limit switch

Associated Information Sheet ► T 8000-X
Associated Data Sheets for pneumatic actuators ► T 8310-1 to -3
Associated Mounting and Operating Instructions ► EB 8052

Note: The temperature limits for DIN and ANSI versions are not directly converted temperatures.